

VERTICAL PUMPS

VERTICAL CENTRIFUGAL PUMPS

Vertical centrifugal pumps are suitable for installations with the pump immersed directly in the tank.

GemmeCotti supplies the following models of vertical pumps:

HV

- Thermoplastic pumps made of PP or PVDF.
- Capacity up to 40 m³/h.
- Head up to 22 m.
- Monobloc pump with semi open-impeller.
- Suitable for high corrosive liquids with solids in suspension.
- Maximum length 1000 mm.

HVL

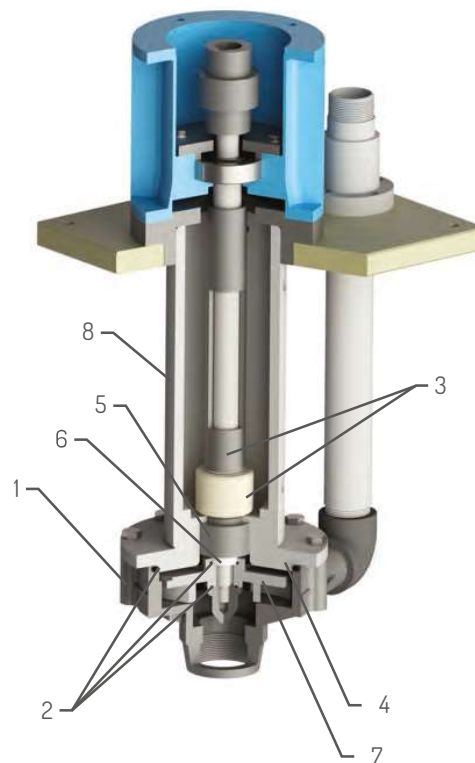
- Thermoplastic pumps made of PP or PVDF.
- Capacity up to 130 m³/h.
- Head up to 48 m.
- Centrifugal pump with coupling and semi open-impeller.
- Suitable for high corrosive liquids with solids in suspension.
- Maximum column length 2000 mm.

PVA

- Vertical centrifugal cantilever pumps.
- Made of AISI316.
- Capacity up to 24 m³/h.
- Head up to 26 m.
- Especially designed for the production of PCBs.

HTM-V

- Vertical magnetic drive pumps.
- Thermoplastic pumps made of PP or PVDF.
- Capacity up to 23 m³/h.
- Head up to 20 m.
- Column length: 320 mm.



MATERIALS IN CONTACT WITH THE LIQUID

PART NUMBER - DESCRIPTION	VERTICAL PUMPS	
	HV	HVL
1 - PUMP HEAD	PP OR PVDF	PP OR PVDF
2 - O-RING	EPDM OR VITON	EPDM OR VITON
3-SHAFT COVERING/GUIDE SHAFT COV.	PP	PP
4- COVER	PP OR PVDF	PP OR PVDF
5- BUSHING	PTFEC	PTFEC
6- WEAR BUSHING	Al ₂ O ₃	Al ₂ O ₃
7- IMPELLER	PP OR PVDF	PP OR PVDF
8- COLUMN	PP OR PVDF	PP OR PVDF



VERTICAL CENTRIFUGAL PUMPS



FEATURES

- Centrifugal pump with coupling.
- Materials available: PP, PVDF.
- Max flow: 130 m³/h; Max head: 48 m.
- Temperature: PP: max 70°C; - PVDF: max 90°C.
- Suitable for high corrosive liquids containing solids in suspension.
- Length of the column: from 500 to 2000 mm.

STANDARD

- Threaded In and Out connections device.

OPTIONAL

- Dry-running protection device.
- Flanges available.
- Suction strainer.

PERFORMANCE CURVES 50HZ - 2900 RPM

