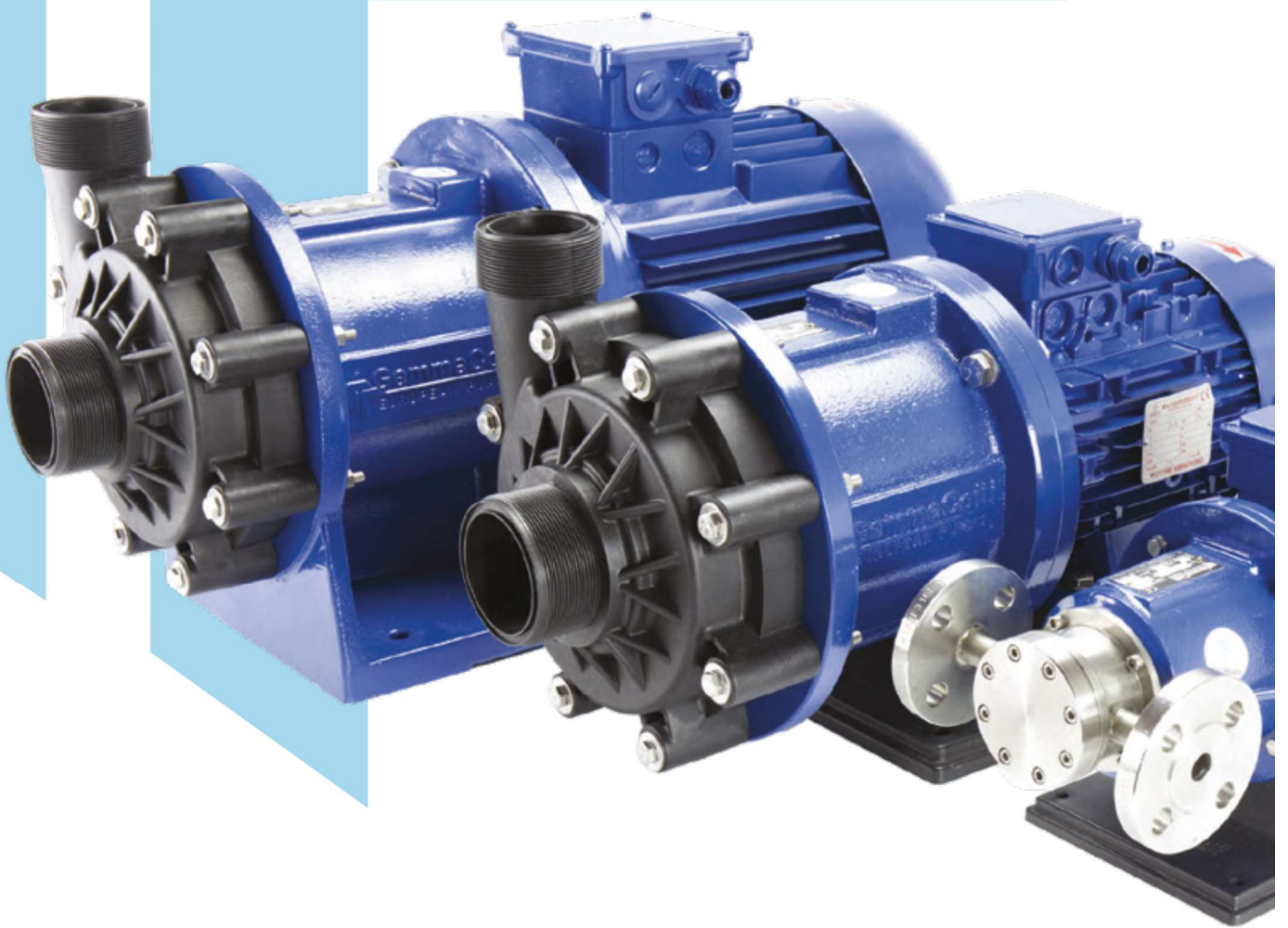


CHEMICAL PUMPS SINCE 1992



VERTICAL PUMPS

VERTICAL CENTRIFUGAL PUMPS

Vertical centrifugal pumps are suitable for installations with the pump immersed directly in the tank.

GemmeCotti supplies the following models of vertical pumps:

HV

- Thermoplastic pumps made of PP or PVDF.
- Capacity up to 40 m³/h.
- Head up to 22 mlc.
- Monobloc pump with semi open-impeller.
- Suitable for high corrosive liquids with solids in suspension.
- Maximum length 1000 mm.

HVL

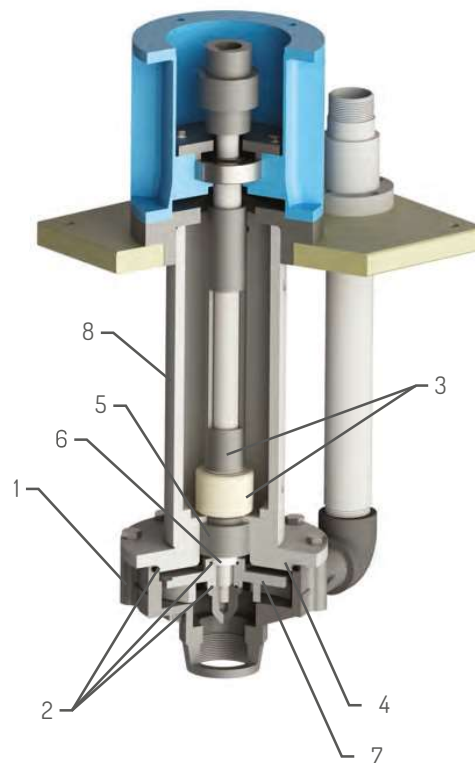
- Thermoplastic pumps made of PP or PVDF.
- Capacity up to 130 m³/h.
- Head up to 48 mlc.
- Centrifugal pump with coupling and semi open-impeller.
- Suitable for high corrosive liquids with solids in suspension.
- Maximum column length 2000 mm.

PVA

- Vertical centrifugal cantilever pumps.
- Made of AISI316.
- Capacity up to 24 m³/h.
- Head up to 26 mlc.
- Especially designed for the production of PCBs.

HTM-V

- Vertical magnetic drive pumps.
- Thermoplastic pumps made of PP or PVDF.
- Capacity up to 23 m³/h.
- Head up to 20 mlc.
- Column length: 320 mm.



MATERIALS IN CONTACT WITH THE LIQUID

| PART NUMBER - DESCRIPTION | VERTICAL PUMPS | |
|-----------------------------------|--------------------------------|--------------------------------|
| | HV | HVL |
| 1 - PUMP HEAD | PP OR PVDF | PP OR PVDF |
| 2 - O-RING | EPDM OR VITON | EPDM OR VITON |
| 3-SHAFT COVERING/GUIDE SHAFT COV. | PP | PP |
| 4- COVER | PP OR PVDF | PP OR PVDF |
| 5- BUSHING | PTFEC | PTFEC |
| 6- WEAR BUSHING | Al ₂ O ₃ | Al ₂ O ₃ |
| 7- IMPELLER | PP OR PVDF | PP OR PVDF |
| 8- COLUMN | PP OR PVDF | PP OR PVDF |



VERTICAL CENTRIFUGAL PUMPS



FEATURES

- Centrifugal monobloc pump.
- Materials available: PP, PVDF.
- Max flow: 40 m³/h; Max head: 22 m.
- Temperature: PP: max 70°C; PVDF: max 90°C.
- Suitable for high corrosive liquids containing solids in suspension.
- Length of the column: from 500 to 1000 mm.

STANDARD

- Threaded In and Out connections.

OPTIONAL

- Dry-running protection device.
- Flanges available.
- Suction strainer.

PERFORMANCE CURVES 50HZ - 2900 RPM

