

VERTICAL PUMPS

VERTICAL CENTRIFUGAL PUMPS

Vertical centrifugal pumps are suitable for installations with the pump immersed directly in the tank.

GemmeCotti supplies the following models of vertical pumps:

HV

- Thermoplastic pumps made of PP or PVDF.
- Capacity up to 40 m³/h.
- Head up to 22 mlc.
- Monobloc pump with semi open-impeller.
- Suitable for high corrosive liquids with solids in suspension.
- Maximum length 1000 mm.

HVL

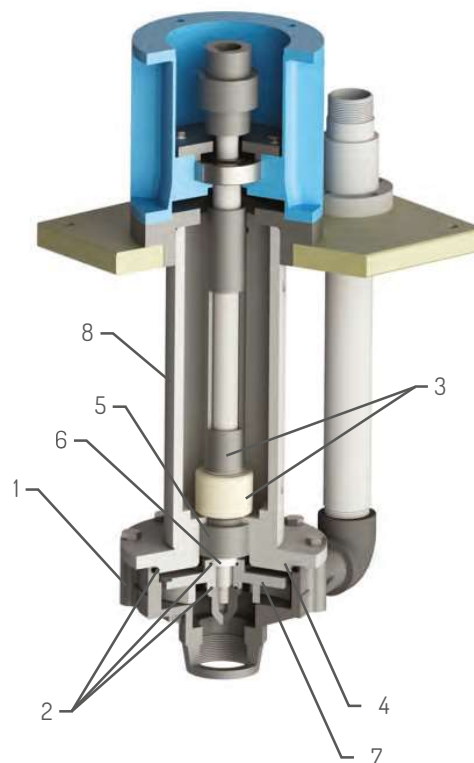
- Thermoplastic pumps made of PP or PVDF.
- Capacity up to 130 m³/h.
- Head up to 48 mlc.
- Centrifugal pump with coupling and semi open-impeller.
- Suitable for high corrosive liquids with solids in suspension.
- Maximum column length 2000 mm.

PVA

- Vertical centrifugal cantilever pumps.
- Made of AISI316.
- Capacity up to 24 m³/h.
- Head up to 26 mlc.
- Especially designed for the production of PCBs.

HTM-V

- Vertical magnetic drive pumps.
- Thermoplastic pumps made of PP or PVDF.
- Capacity up to 23 m³/h.
- Head up to 20 mlc.
- Column length: 320 mm.



MATERIALS IN CONTACT WITH THE LIQUID

| PART NUMBER - DESCRIPTION | VERTICAL PUMPS | |
|-----------------------------------|--------------------------------|--------------------------------|
| | HV | HVL |
| 1 - PUMP HEAD | PP OR PVDF | PP OR PVDF |
| 2 - O-RING | EPDM OR VITON | EPDM OR VITON |
| 3-SHAFT COVERING/GUIDE SHAFT COV. | PP | PP |
| 4- COVER | PP OR PVDF | PP OR PVDF |
| 5- BUSHING | PTFEC | PTFEC |
| 6- WEAR BUSHING | Al ₂ O ₃ | Al ₂ O ₃ |
| 7- IMPELLER | PP OR PVDF | PP OR PVDF |
| 8- COLUMN | PP OR PVDF | PP OR PVDF |



VERTICAL MAG DRIVE CENTRIFUGAL PUMPS



MAIN FEATURES

Vertical mag drive centrifugal pumps series HTM-V are made of thermoplastic materials (Polypropylene and PVDF) and are suitable to handle chemicals and corrosive liquids. This kind of pump has been designed for a vertical submerged installation, providing high reliability for intank and sump applications. HTM-V are seal-less magnetic drive pumps without any kind of labyrinth or mechanical seal. The column of the pump is hermetically sealed and it allows complete isolation of the motor, the extension shaft and external magnet of the pump from the process liquid.

- Materials available: PP /PVDF.
- Materials in contact with the liquid:
casing and impeller: PP/PVDF;
o-ring: EPDM (standard for PP pumps);
VITON (standard for PVDF pumps);
shaft: Al2O3 99,7%; bushing: PTFEC.
- Max flow: 22 m³/h. Max head 20 m.
- Temperature: PP: max 70°C – PVDF: max 90°C.
- Compact design, column length 320mm.

OPTIONAL:

- Dry running protection device.
- Also available with bracket suitable for NEMA motors.

PERFORMANCE CURVES 50HZ - 2900 RPM

