

# **GLOBAL SERIES**

**Air-Powered Double Diaphragm Pumps**

## G15 Stainless Steel

56 l/min Maximum Flow Rate

1/2 inch Port Size



The G15 Series Stainless Steel Pumps are designed to provide maximum performance, while maintaining the reliability that you've grown accustomed to from Yamada. These 1/2" pumps are perfect for spraying and dispensing applications, particularly when on and off cycling reliability is critical. Utilizing our new Step Spool (S-Spool), the G15 uses up to 30% less air than the competition. Maintenance is also a breeze with fewer removeable parts.

### Technical Specifications

Maximum Flow Rate	• 56 l/min
Port Size	• 1/2" Female Rc
Air Supply Pressure	• 2 - 7 Bar
Liquid Temperature	• 0 - 100 °C
Maximum Air Consumption	• 520 NI/min
Weight	• 8,2 kg
Maximum Size Solid	• 1 mm (1/32")
Air Inlet	• 1/4" Female Rc
Body Material	• Stainless Steel (316)
Discharge Volume Per Cycle	• 150 ml
Dry Suction Lift	• Rubber 15' / PTFE 12'
Dimensions	• L x W x H / 18,5cm x 19,5cm x 26,5cm



# G15 Stainless Steel

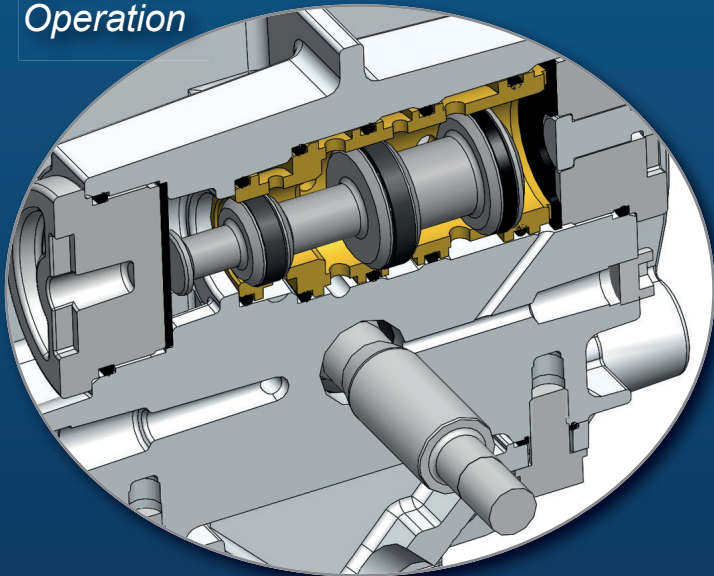
56 l/min Maximum Flow Rate

1/2 inch Port Size

## Features & Benefits

- No lubrication required
- Stall Free / S-Spool Design
- Fewer Wearing Parts
- Ease of Repair - Quick teardown / Rebuild
- 30% less air consumption over competitor's pumps
- Perfect for dispensing and spraying applications
- Critical reliability for On/Off cycling

*Stall-Free  
Operation*



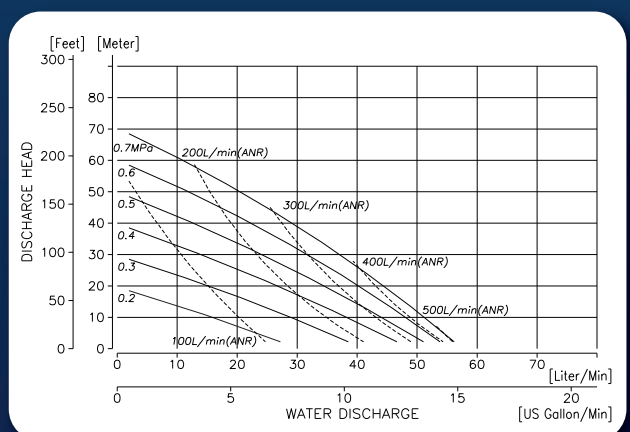
*FEWER Parts  
INCREASED Reliability*

## Elastomeric Options

*Step-Spool*



- PTFE
- Buna N
- Santoprene®
- Hytrel®



**Yamada** Europe B.V.



Aquamarijnstraat 50  
7554 NS Hengelo (OV)  
The Netherlands  
Phone: +31 (0)74-242 2032  
sales@yamada-europe.com  
www.yamada-europe.com

**Best is not good enough!**