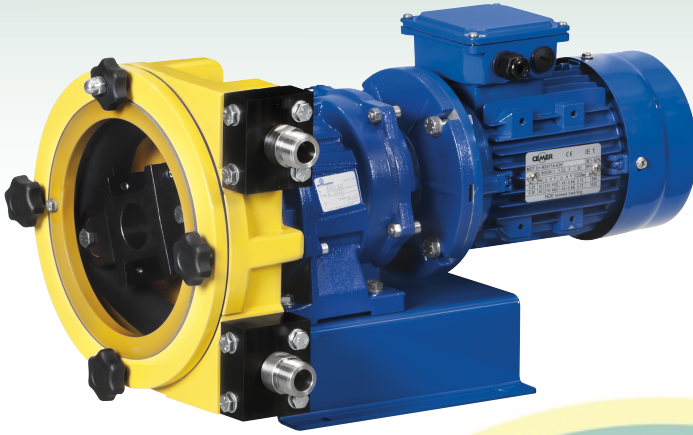


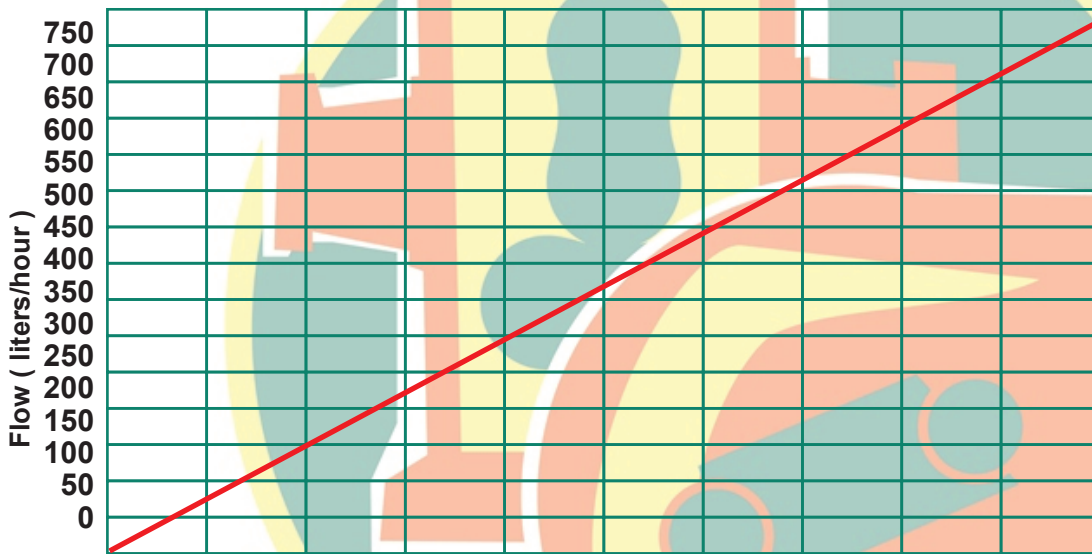


# Industrial Peristaltic Pumps

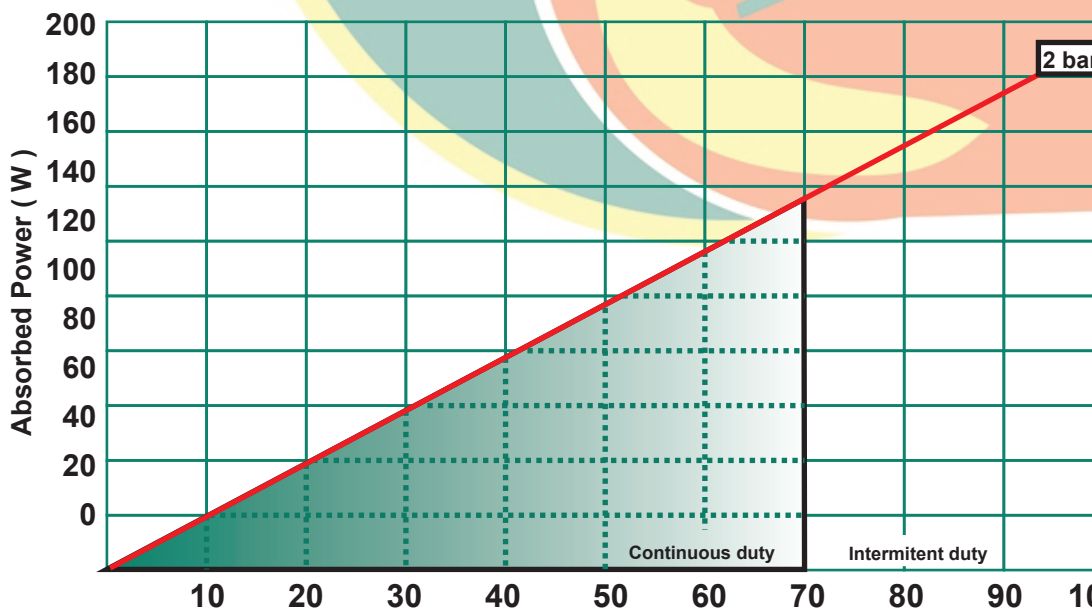
## AMP-19D Data sheet



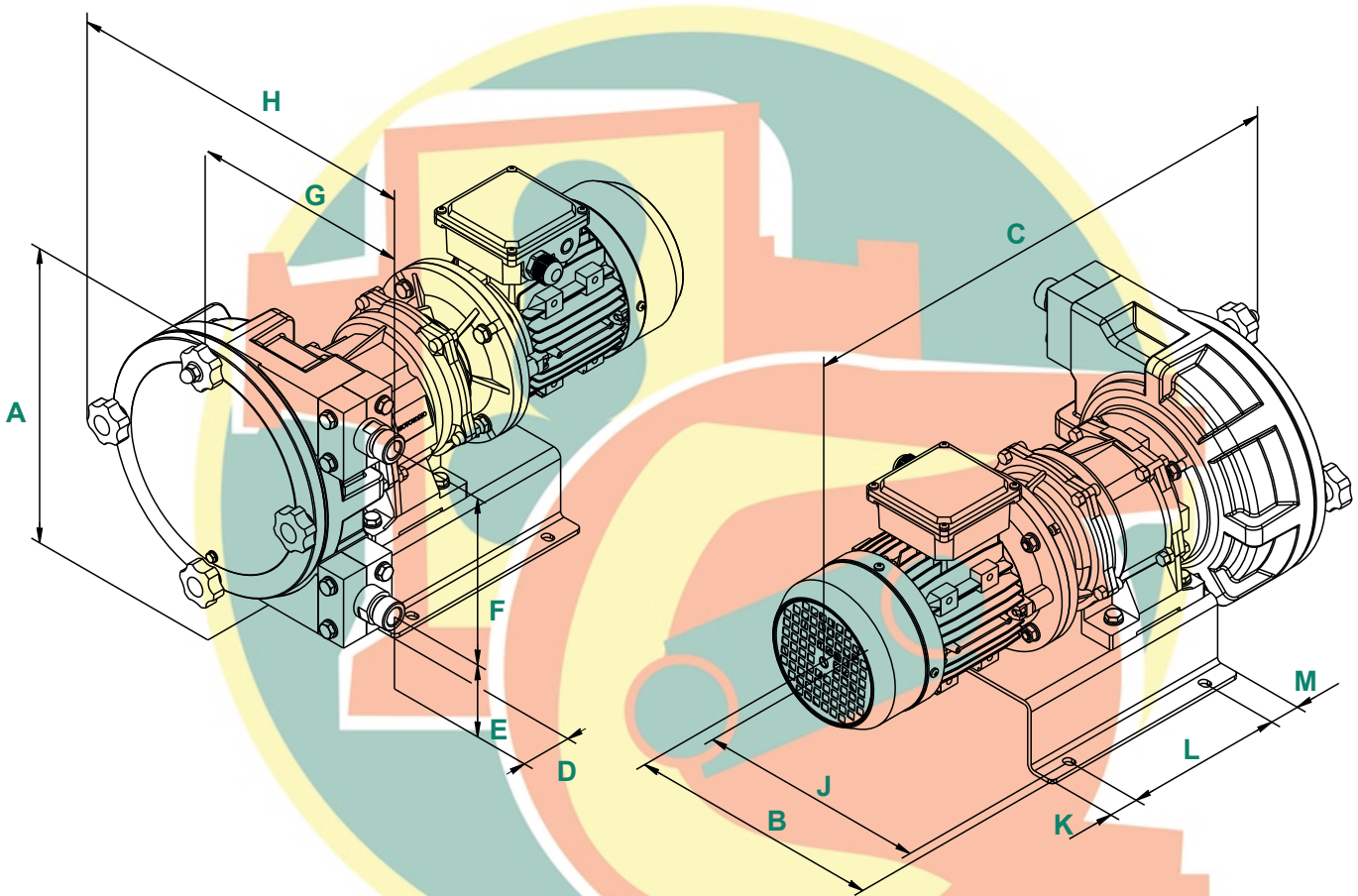
**Capacity:** 0,123 l/rev.  
**Connections:** 1"  
**Max. Pressure:** 2 bar  
**Rotor system:** Rollers  
**Available hoses:** --  
**Available tubes:** Norprene  
Tygon



Pressure (bar)	Torque (Nm)
2	20



Description	Material	Surface treatment
Pump housing	Alluminium EN-AC-44100	Polyester powder coated Halar coated (Optional)
Front cover	Steel F-111 / Polycarbonate	Polyester powder coated Halar coated (Optional)
Rotor	Nodular Cast Iron EN-GJL-400	Cataphoresis
Rollers	Steel F-114	Blueing
Base plate	Steel F-111 Stainless Steel AISI-304 (Optional)	Polyester powder coated --
Connections	Stainless Steel AISI-316 Polypropylene (Optional) PVDF (Optional)	--



A	B	C	D	E	F	G	H	J	K	L	M	Connections
275	210	*	49	60	170	173	303	190	30	160	30	1" BSP

\* To confirm according type and power driver.



**Bombas Boyser, S.L**  
 c/ Miquel Martí i Pol, s/n - Pol. Ind. Pla de la Costa  
 08182 Sant Feliu de Codines - Barcelona - Spain  
 Tel. +34 93 844 77 78 info@boyser.com

[www.boyser.com](http://www.boyser.com)

