

Electromagnetic metering pumps Chlorine dioxide type



- Metering pumps designed specifically for the handling and delivery of chlorine dioxide.
- Ideal for injection into cooling towers, food processing equipment (CIP), and wastewater treatment.
- A unique diaphragm design and new materials of construction combine to ensure long service life in chlorine dioxide applications.



Pump specifications

Model		EWN-B11	EWN-B16	EWN-B21	EWN-C16	EWN-C21
Max. discharge capacity	mL/min	38	65	100	80	130
	mL/shot	0.05 to 0.11	0.09 to 0.18	0.14 to 0.28	0.09 to 0.22	0.14 to 0.36
Max. discharge pressure	MPa	1.0	0.7	0.4	1.0	0.7
Stroke length	%	50 to 100			40 to 100	
Stroke rate	spm	1 to 360			1 to 360	
Power voltage	V	AC100 to 240 50/60Hz single phase			AC100 to 240 50/60Hz single phase	
Current	A	0.8			1.2	
Average power consumption	W	20			24	

- Max. discharge capacity shown is at max. discharge pressure (stroke length 100%, stroke rate 100%) and increases as the discharge pressure decreases.
- Test performance is based on pumping clean water at ambient temperature at rated voltage and is collected during shipping/inspection.

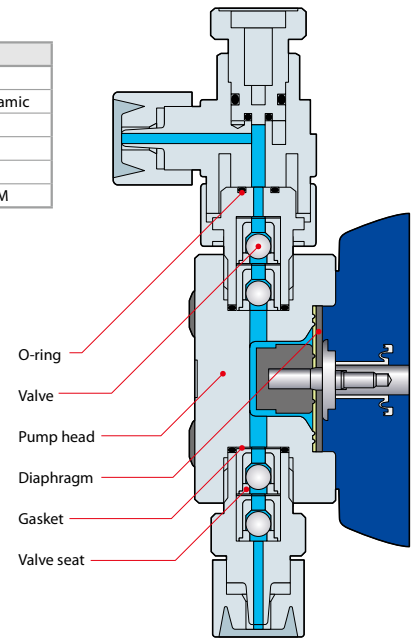
Controller specifications

Operation mode	MAN		0.1 to 100% stroke rate
	EXT	DIV (Dividing)	/1 to 9999
		MULT (Multiply)	x1 to 9999
		ANA.R (Analog, rigid)	4 to 20, 0 to 20, 20 to 4, 20 to 0 mA
	ANA.V (Analog, variable)		2 points 0.0 to 20.0 mA range 0.0 to 100% stroke rate
Display	LCD	14seg 5digits	%, ml/m, L/H, GPH, STOP, PRIME, AUX etc
	LED	ON Green	Green lights when power is put and blinks synchronous with stroke.
Stop Orange/Red		Orange lights when Pre-STOP is activated, and red when STOP is activated.	
Keypad	5 Keys		Start/Stop, ▲(UP), ▼(DOWN), EXT, DISP
Control function	STOP/Pre-Stop		Pump keeps running when Pre-STOP is activated. Pump stops when STOP is activated.
	Prime		Pump runs at max. stroke rate while up and down keys are pushed.
	Key lock		Key can be locked and unlocked.
	Calibration		Discharge capacity per shot is calculated automatically by operating and stopping pump at calibration mode to make flow rate indication possible.
	Buffer memory		ON or OFF is selectable. Max. 65535 stroke pulses are put in memory.
Input	Pulse		Non Voltage contact or open collector, Max. 100Hz
	Current		DC0 to 20 mA (Input resistance 200Ω)
	Level sensor		Non Voltage contact or open collector, 2- steps contact
	AUX		Pump runs at max. stroke rate while AUX signal is input.
Output			Photo-MOS relay 24VAC/DC 0.1A
			STOP, Synchronous with stroke Synchronous with stroke is standard.
Power voltage			100 to 240 VAC 50/60Hz (90 to 264 VAC)

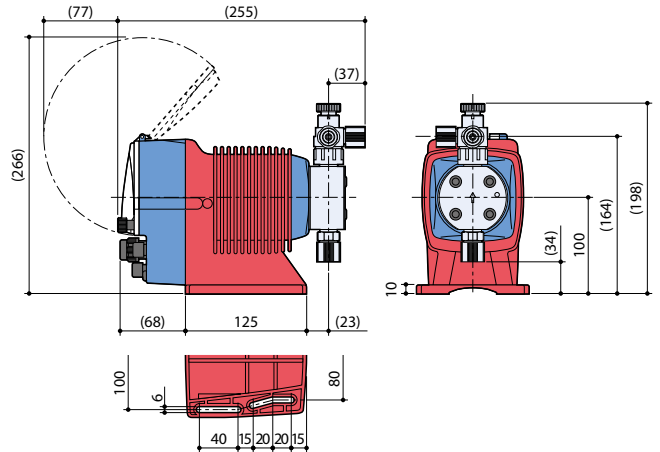
- Note 1: If the max. stroke rate by calculation exceeds 100% stroke rate because of the relation between the setting and input signal when the pump is in EXT operation, the operation is fixed at the maximum stroke rate speed of manual operation.
- Note 2: By changing the setting, the pump can run when the contact signal comes in.
- Note 3: The max. frequency of input pulse is 100Hz (Duty 50:50).
- Note 4: The max. chargeable voltage to a contact is 12V and current is 2.3mA. If a contact such as relay is used, the minimum application load should be 1mA or below.

Materials of construction

Material code	FC
Pump head	PVDF
Valve	Alumina ceramic
Valve seat	PCTFE
Gasket	PTFE
O ring	FFKM
Diaphragm	PTFE+FKM



Dimensions in mm



Pump Identification

EWN - B 11 FC E R - CH

- **Drive unit code**
(Average power consumption)
B: 20W
C: 24W
- **Diaphragm effective diameter** (in mm)
11: 10mm
16: 15mm
21: 20mm
- **Wet-end material code**
FC
- **Controller function code**
R: Standard
- **Power code**
E: With European cord
- **Special configuration code**
CH: Chlorine dioxide

www.iwakipumps.jp

IWAKI CO.,LTD. 6-6 Kanda-Sudacho 2-chome Chiyoda-ku Tokyo 101-8558 Japan TEL : (81)3 3254 2935 FAX : 3 3252 8892

EUROPE

European office	: IWAKI Europe GmbH	TEL: (49)2154 9254 0	FAX: 2154 9254 48
Holland	: IWAKI Europe (NL Branch)	TEL: (31)547 293 160	FAX: 547 292 332
Belgium	: IWAKI Belgium N.V.	TEL: (32)113 67 02 00	FAX: 13 67 20 30
Denmark	: IWAKI Nordic A/S	TEL: (45)48 24 2345	FAX: 48 24 2346
Finland	: IWAKI Suomi Oy	TEL: (358)9 2745810	FAX: 9 2742715
France	: IWAKI France S.A.	TEL: (33)1 69 63 33 70	FAX: 1 64 49 92 73
Germany	: IWAKI Europe GmbH	TEL: (49)2154 9254 50	FAX: 2154 9254 55
Italy	: IWAKI Italia S.R.L.	TEL: (39)0444 371115	FAX: 0444 335350
Norway	: IWAKI Norge AS	TEL: (47)23 38 49 00	FAX: 23 38 49 01
Spain	: IWAKI Iberica Pumps, S.A.	TEL: (34)943 630030	FAX: 943 628799
Sweden	: IWAKI Sverige AB	TEL: (46)8 511 72900	FAX: 8 511 72922
Switzerland	: IWAKI (Schweiz) AG	TEL: (41)26 674 93 00	FAX: 26 674 93 02
U.K.	: IWAKI Pumps (UK) Ltd.	TEL: (44)1743 231363	FAX: 1743 366507

ASIA / OCEANIA / NORTH AMERICA / SOUTH AMERICA

China	: IWAKI Pumps Co., Ltd.	TEL: (852)2607 1168	FAX: 2607 1000
Korea	: IWAKI Korea Co., Ltd.	TEL: (82)2 2630 4800	FAX: 2 2630 4801
Malaysia	: IWAKI Sdn. Bhd.	TEL: (60)3 7803 8807	FAX: 3 7803 4800
Singapore	: IWAKI Singapore Pte Ltd.	TEL: (65)6316 2028	FAX: 6316 3221
Indonesia	: IWAKI Singapore (Indonesia Branch)	TEL: (886)21 6906606	FAX: 21 6906612
Taiwan	: IWAKI Pumps Taiwan Co., Ltd.	TEL: (886)2 8227 6900	FAX: 2 8227 6818
Thailand	: IWAKI (Thailand) Co., Ltd.	TEL: (66)2 322 2471	FAX: 2 322 2477
Vietnam	: IWAKI Pumps Vietnam Co., Ltd.	TEL: (84)613 933456	FAX: 613 933399
Australia	: IWAKI Pumps Australia Pty Ltd.	TEL: (61)2 9899 2411	FAX: 2 9899 2421
U.S.A.	: IWAKI America Inc.	TEL: (1)508 429 1440	FAX: 508 429 1386
Argentina	: IWAKI America Inc. (Argentina Branch)	TEL: (54)11 4745 4116	

⚠ Caution for safety use: Before use of pump, read instruction manual carefully to use the product correctly.

Actual pumps may differ from the photos. Specifications and dimensions are subject to change without prior notice. For further details please contact us.

⚠ Legal attention related to export.

Our products and/or parts of products fall in the category of goods contained in control list of international regime for export control. Please be reminded that export license could be required when products are exported due to export control regulations of countries.

