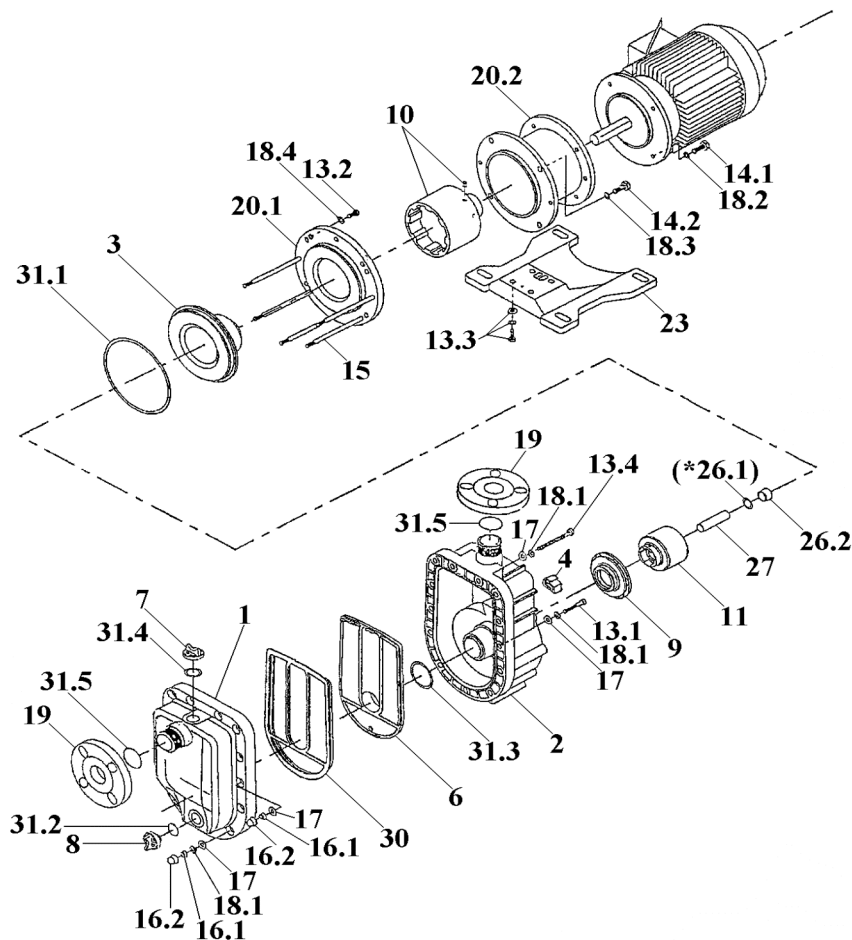


| Item | Description | Q'ty | Material | SMX-441 (0,75kW) | | SMX-442 (1,5kW) | |
|------|------------------------------|-------------|---------------|------------------|------------|-----------------|------------|
| | | | | Part No. | Code No. | Part No. | Code No. |
| 1 | Front Case | 1 | GFRPP | SMX0041 | 1210041300 | ï | ï |
| 2 | Rear Case (+Liner R.) Unit | 1 | GFRPP+CE | SMX0043 | 1210041400 | ï | ï |
| 3 | Rear Casing | 1 | GFRPP | SMX0004 | 1231156700 | ï | ï |
| 4 | Volute Spacer | 1 | GFRPP | SMX0045 | 1240834900 | ï | ï |
| 6 | Plate | 1 | GFRPP | SMX0046 | 1220304100 | ï | ï |
| 7 | Cap | 1 | GFRPP | SMX0008 | 1240833200 | ï | ï |
| 8 | Drain Cap | 1 | GFRPP | SMX0009 | 1240833300 | ï | ï |
| 9 | Impeller (w/Mouth R.) Unit | 1 | GFRPP+PTFE | SMX0048 | 1240835600 | ï | ï |
| *10 | Drive Magnet Unit | <J1> 0,75kW | FCD450+F.M. | MX0227 | 1230977000 | | |
| | | <J2> 1,5kW | FCD450+F.M. | | | MX0310 | 1230987200 |
| 11 | Magnet Capsule+ Bearing Unit | CAV•CAE | PP+Carbon+FM | MX0122 | 1230976410 | SMX0038 | 1231159310 |
| | | RAV•RAE | PP+PTFE+FM | MX0123 | 1230976420 | SMX0039 | 1231159320 |
| | | KAV•KAE | PP+SiC+FM | SMX0037 | 1230976440 | SMX0040 | 1231159330 |
| 13.1 | Cap Bolt (M8x45) | 6 | SUS304 equiv. | SMX0082 | 0150300037 | ï | ï |
| 13.2 | Cap Bolt (M8x15) | 3 | SUS304 equiv. | SMX0059 | 0150300030 | ï | ï |
| 13.3 | Cap Bolt with W. (M8x20) | 4 | Steel | MX0219 | 0150900033 | ï | ï |
| 13.4 | Cap Bolt (M8x85) | 2 | SUS304 equiv. | SMX0083 | 0150300574 | ï | ï |
| 14.1 | Hex. Head Bolt (M10x25) | 4 | SUS304 equiv. | MDM0041 | 0150100181 | ï | ï |
| 14.2 | Hex. Head Bolt (M10x25) | 4 | SUS304 equiv. | MDM0041 | 0150100181 | ï | ï |
| 15 | Stud Bolt (M8) | 5 | SUS304 | SMX0084 | 1240833900 | ï | ï |
| 16.1 | Nut (M8) | 13 | SUS304 equiv. | SMX0064 | 0153100029 | ï | ï |
| 16.2 | Cover Cap | 13 | PE | SMX0065 | 0159000000 | ï | ï |
| 17 | Plate Washer (M8) | 21 | SUS304 equiv. | MDM0026 | 0153500074 | ï | ï |
| 18.1 | Spring Washer (M8) | 13 | SUS304 equiv. | MDM0028 | 0154100057 | ï | ï |
| 18.2 | Spring Washer (M10) | 4 | SUS304 equiv. | MX0315 | 0154100022 | ï | ï |

*Note: "Drive Magnet Unit" is furnished with 2 x Setscrew (M8x10).

△ Subject to change without prior notice! △ Actual pump may differ from the exploded view!



| Item | Description | Q'ty | Material | SMX-441 (0,75kW) | | SMX-442 (1,5kW) | |
|-------|---------------------|--------|---------------|------------------|------------|-----------------|------------|
| | | | | Part No. | Code No. | Part No. | Code No. |
| 18.3 | Spring Washer (M10) | 4 | SUS304 equiv. | MX0315 | 0154100022 | İ | İ |
| 18.4 | Spring Washer (M8) | 3 | SUS304 equiv. | MDM0028 | 0154100057 | İ | İ |
| 19 | Flange (ISO) | 2 | GFRPP | MX0232 | 1230371400 | İ | İ |
| 20.1 | Rear Casing Support | 1 | FCD450 | SMX0069 | 1231156800 | İ | İ |
| 20.2 | Adapter | 0,75kW | FCD450 | SMX0075 | 1210041600 | | |
| | | 1,5kW | FCD450 | | | SMX0079 | 1210041700 |
| 23 | Base | 1 | GFRPP | SMX0073 | 1220303100 | İ | İ |
| *26.1 | Rear Thrust Ring | "RA" | Al. Ceramic | SMX0016 | 1240833500 | İ | İ |
| 26.2 | Rear Thrust | CA•KA | CFRPPS | MX0119 | 1240724900 | İ | İ |
| | | RA | CFRPPS | SMX0018 | 1240833600 | İ | İ |
| 27 | Spindle | CA•RA | Al. Ceramic | MX0118 | 1240725000 | İ | İ |
| | | KA | SiC | MX0427 | 1240765100 | İ | İ |
| 30 | Gasket | V | FKM-A | SMX0051 | 1220303700 | İ | İ |
| | | E | EPDM | SMX0052 | 1220303800 | İ | İ |
| 31.1 | O-Ring, G-160 | V | FKM-A | SMX0023 | 0325300186 | İ | İ |
| | | E | EPDM | SMX0024 | 0325300187 | İ | İ |
| 31.2 | O-Ring, G-25 | V | FKM-A | MX0117 | 0325300203 | İ | İ |
| | | E | EPDM | MX0205 | 0325300179 | İ | İ |
| 31.3 | O-Ring, G-50 | V | FKM-A | SMX0053 | 0325300057 | İ | İ |
| | | E | EPDM | SMX0054 | 0325300091 | İ | İ |
| 31.4 | O-Ring, G-30 | V | FKM-A | SMX0029 | 0325300053 | İ | İ |
| | | E | EPDM | SMX0030 | 0325300087 | İ | İ |
| 31.5 | O-Ring, AS568-129 | V | FKM-A | MX0130 | 0325500010 | İ | İ |
| | | E | EPDM | MX0233 | 0325500014 | İ | İ |

*Note: "Rear Thrust Ring" (Pos. 26.1) is required for "RA" models only.

⚠ Subject to change without prior notice! ⚠ Actual pump may differ from the exploded view!